



# HAND PALLET TRUCK PK 2000



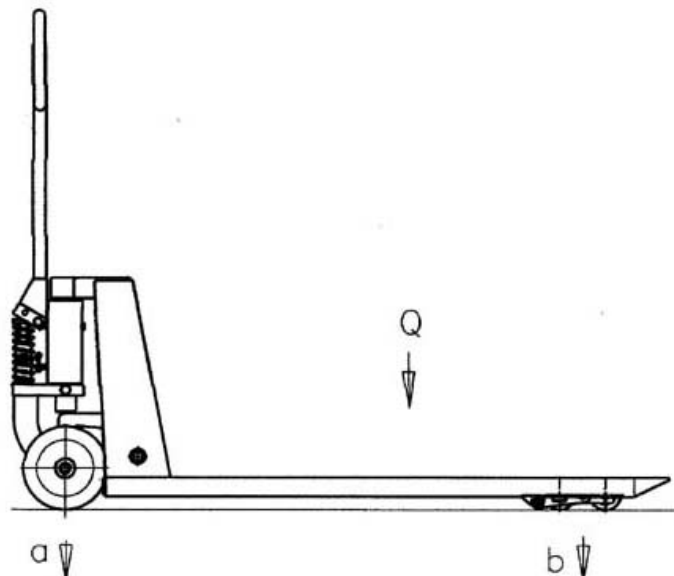
„**POBEDA-MASINAC**“ AD, Rade Koncara 1, 21131 Petrovaradin, Serbia & Montenegro

TELEPHONE: Switchboard: + 381 (0)21 6432 033, Director: 6432 912,  
Commercial Director: 6433 829, Sales Department: 6432 224,  
Parts & Service 6431 370, Purchasing Department: 6433 319; FAX: 6431 069

[www.pobeda.co.yu](http://www.pobeda.co.yu)

E-mail: [sales@pobeda.co.yu](mailto:sales@pobeda.co.yu)

<b>Technical data</b>		
Manufacturer		<b>POBEDA-MASINAC</b>
Manufacturer's identification		<b>PK 2000</b>
Operation		hand
Capacity/load, Q	kg	2000
Load centre distance, c	mm	500
Load distance, x	mm	916
Wheel base – raised, y	mm	1167
Service weight	kg	60
Axle load without load in front/behind	kg	40/20
Tyres		Polyamide 6
Tyre size, front	mm	Ø200x55
Tyre size, back	mm	Ø75x75
No. of wheels front/back		2/4
Track width, front, b10	mm	173
Track width, back b11	mm	380
Lift, h3	mm	123
Tiller height in travel direction min./max., h14	mm	1201
Lowered height, h13	mm	78
Total length, l1	mm	1578
Length including back of forks, l2	mm	378
Total width, b1	mm	520
Fork dimensions, s/e/l	mm	46/140/1200
Width over forks, b5	mm	520
Floor clearance centre wheelbase, m2	mm	32
Working aisle width with pallet 1000x1200 crossways	mm	1578
Working aisle width with pallet 800x1200 lengthways	mm	1778
Turning radius, Wa	mm	1294



Q (kg)=500	1000	1500	2000
a (kg)=190	340	490	640
b (kg)=370	720	1070	1420

